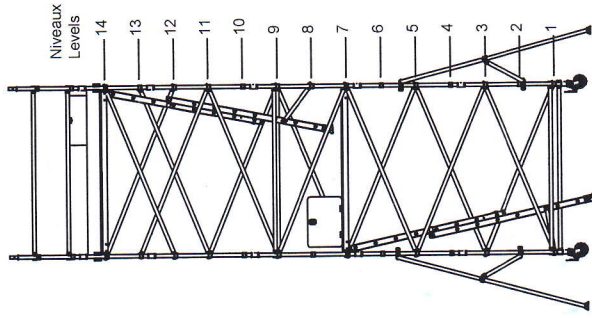
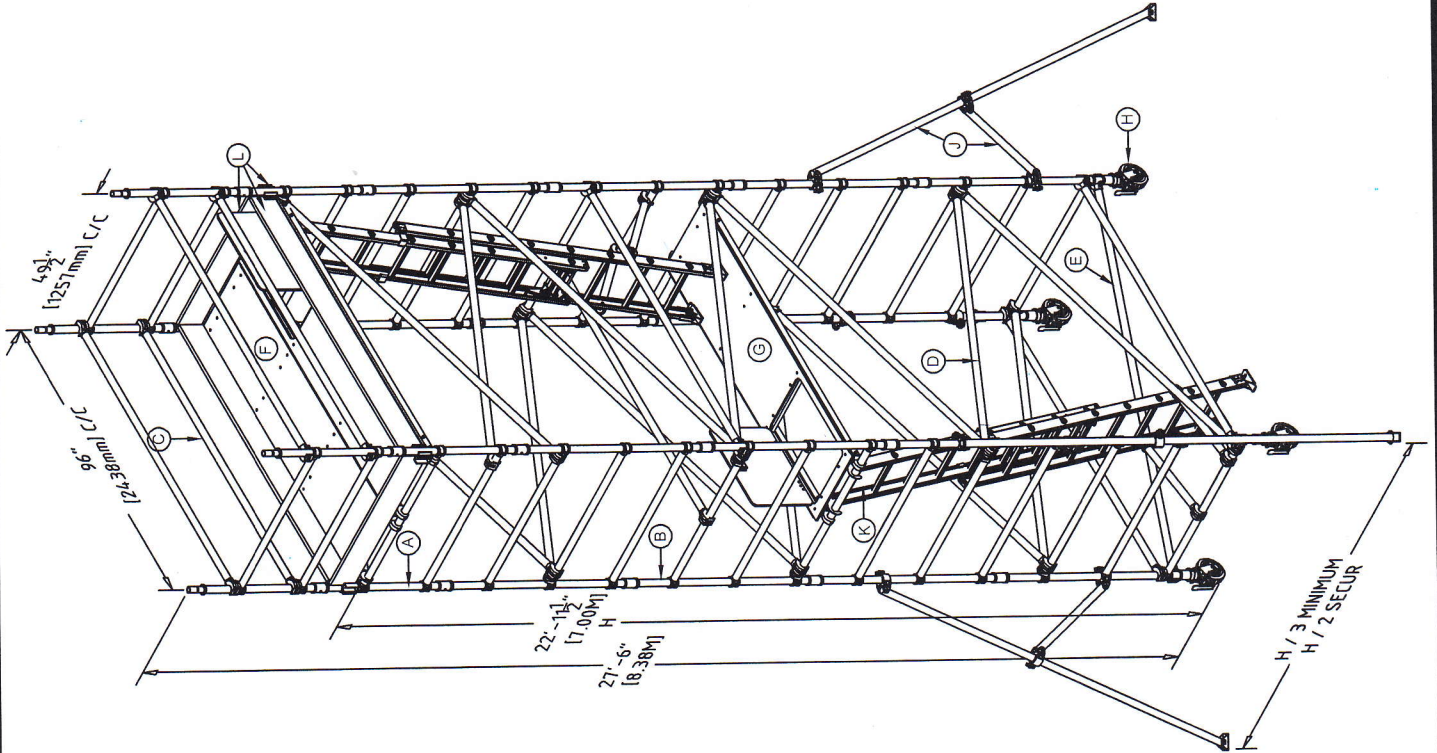


Composantes - Components

| REF | QT. | CODE | DESCRIPTION |
|-----|-----|---|--|
| A | 4 | F-FRA1210 | Cadre 3' (1m) Hauteur Frame 3' (1m) Height |
| B | 8 | F-FRA1215 | Cadre 5' (1.5m) Hauteur Frame 5' (1.5m) Height |
| C | 8 | F-BRAH24 (jaune) (yellow) | Barre Horizontale 8' (2.4m) Horizontal Brace 8' (2.4m) |
| D | 14 | F-BRAD24 (bleu) (blue) | Barre Diagonale 8' (2.4m) Diagonal Brace 8' (2.4m) |
| E | 1 | F-PBRA1224 (rouge) (red) | Barre Transversale 8' (2.4m) Plan Brace 8' (2.4m) |
| F | 1 | F-DP24 | Plate - forme 8' (2.4m) Deck plain 8' (2.4m) |
| G | 2 | F-DH24 | Plate - forme avec ouverture 8' (2.4m) Deck Hatch 8' (2.4m) |
| H | 4 | F-ADJ200 | Roues 8" (20cm) Casters 8" (20cm) |
| J | 4 | F-OUT30 | Barres Stabilisatrices 10' (3m) Outriggers 10' (3m) |
| K | 2 | F-LAD2436 | Echelle 8' - 12' (2.4m - 3.65m) Ladders 8' - 12' (2.4m - 3.65m) |
| L | 1 | F-TB12 (Qty 2), F-TB24 (Qty 2) F-TBBRACK (Qty 4) | Ensemble de plinthe 7.5' (19cm) Hauteur Toe boards Kit 7.5' (19cm) Height |



facteur de sécurité / safety factor

- assemblage 3 pour 1 / 3 to 1 assembly (1502 lbs, 681 kg)
- barreaux 2.2 pour 1 / 2.2 to 1 rungs (1100 lbs, 499 kg)
- plate-forme 4 pour 1 / 4 to 1 platform (2000 lbs, 907 kg)

Largeur cadre 4pi (1.2m) - Frame width 4ft (1.2m)

Produit - Product

Tour 7m (22' 11.5") d' échafaudage en fibre de verre
7m (22' 11.5") Fiberglass scaffolding towers



Drawing by

Date

Product code

F-KIT1270

E.D

06/11/007 rev-1