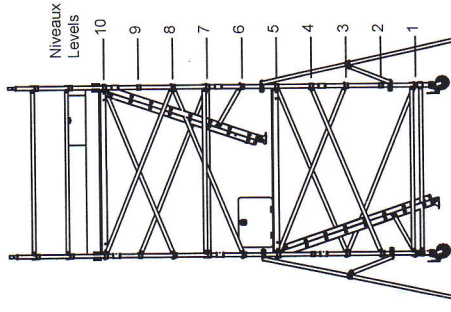


Composantes - Components

REF	QT.	CODE	DESCRIPTION
A	0	F-FRA0710	Cadre 3' (1m) Hauteur Frame 3' (1m) Height
B	8	F-FRA0715	Cadre 5' (1.5m) Hauteur Frame 5' (1.5m) Height
C	8	F-BRAH24 (jaune) (yellow)	Barre Horizontale 8' (2.4m) Horizontal Brace 8' (2.4m)
D	8	F-BRAD24 (bleu) (blue)	Barre Diagonale 8' (2.4m) Diagonal Brace 8' (2.4m)
E	1	F-PBRA0724 (rouge) (red)	Barre Transversale 8' (2.4m) Plan Brace 8' (2.4m)
F	0	F-DP24	Plate - forme 8' (2.4m) Deck, plain 8' (2.4m)
G	2	F-DH24	Plate - forme avec ouverture 8' (2.4m) Deck Hatch 8' (2.4m)
H	4	F-ADJ200	Roues 8" (20cm) Casters 8" (20cm)
I	0	F-OUT20	Barres Stabilisatrices 6' 5" (2m) Outriggers 6' 5" (2m)
J	4	F-OUT30	Barres Stabilisatrices 10' (3m) Outriggers 10' (3m)
K	2	F-LAD2436	Echelle 8' - 12' (2.4m - 3.65m) Ladders 8' - 12' (2.4m - 3.65m)
L	1	F-TB07 (Qty 2), F-TB24 (Qty 2) F-TBRACK (Qty 4)	Ensemble de plinthe 7.5" (19cm) Hauteur Toe boards Kit 7.5" (19cm) Height



facteur de sécurité / safety factor

assemblage 3 pour 1 / 3 to 1 assembly (1502 lbs, 681 kg)
 barreaux 2.2 pour 1 / 2.2 to 1 rungs (1100 lbs, 499 kg)
 plate-forme 4 pour 1 / 4 to 1 platform (2000 lbs, 907 kg)

Largeur cadre 2pi (0.7m) - Frame width 2ft (0.7m)

Produit - Product

Tour 5m (16' 4.75") d'échafaudage en fibre de verre
 5m (16' 4.75") Fiberglass scaffolding towers

Drawing by Date

E.D 18/12/007 rev-2

Product code

F-KIT0750

